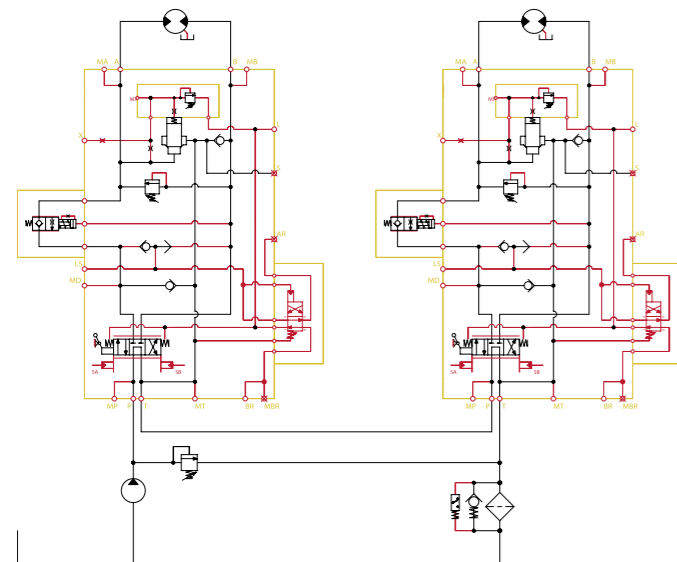


Dedicated products and solutions for deck equipment

Hydraulics just for your needs

Parker's wide product range means having the right components and complete systems to fulfil your needs for high pressure hydraulics in many types of deck machinery. We offer products for winch control, crane control and filtration – and naturally also a wide range of pumps and motors. All built to withstand rough conditions at sea, all taking advantage of Parker's long experience of the marine environment. Through years of close co-operation with discriminating clients all over the world we have accumulated a wealth of knowledge, which we are more than happy to share with you!

- **Auxiliary winch control**
- **Fishing winch control**
- **Mooring winch control**
- **Hoist boom crane control**
- **Knuckle boom crane control**
- **A-frame crane control**
- **Radial piston motors**
- **Vane pumps**
- **PV piston pumps**
- **Efficient filtration**
- **Contamination control**



WM marine control valves

Robust control valves for flow rates of 100 to 1,200 l/min, designed to withstand hard marine conditions. Manually or hydraulically operated main spools. Manifold and flange mounted versions available.



Parker winch manifold series

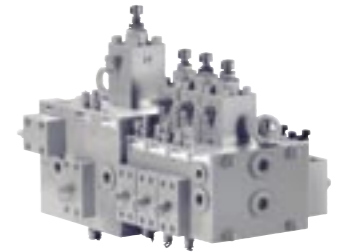
Built to withstand marine conditions. Nominal flow from 100 to 1,200 l/min.

- MAW series for auxiliary winch applications.
- MFW series for fishing winch applications, with shooting function.
- MMW series for mooring winch applications with pressure compensator.



RCV remote control valve

An accurate remote control valve to operate Parker's marine control valves, strongly built to withstand hard use under tough conditions. Available with end position detents.



CVG crane control valve

Accurate motion control for flows between 300 and 1,200 l/min. A flexible, modular design load sensing valve with pressure compensation and low hysteresis. Relief valves for all actuator lines.



Compact Power Units

Ideal for stationary complex hydraulic control systems. Includes tank, e-motor, pump, bell housing, return filter, contamination gauge, level switch, valve stack and accumulator. Stackable blocks can easily be extended. Standard or tailor-made models, plug-and-play, ready for use! Pre-fabrication enables fast delivery at a low cost.

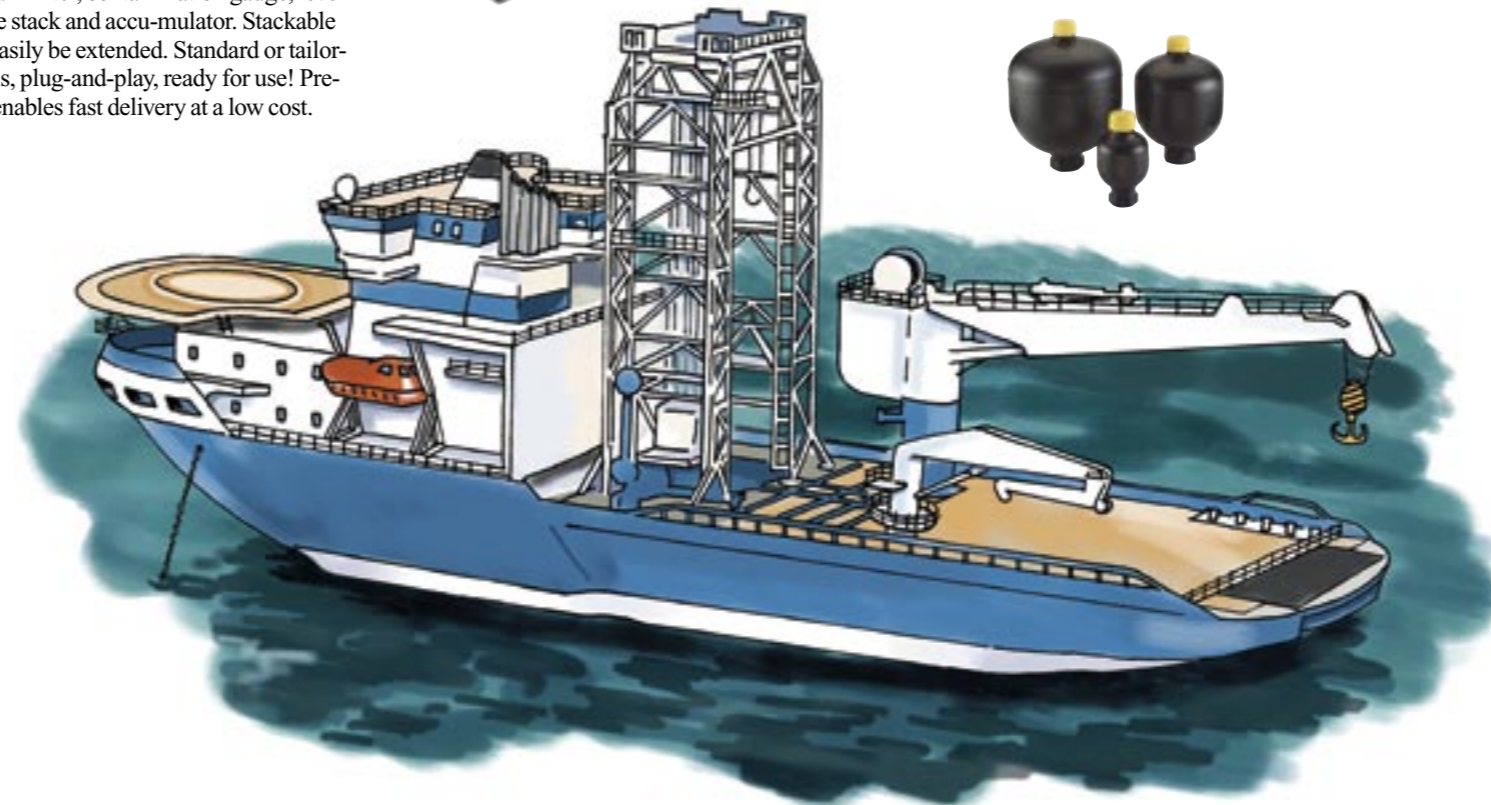
Quiet power

Our range of variable piston pumps have rigid housings and ripple chambers which make the pumps quiet, generating fewer flow- and pressure pulsations than conventional pumps.



Store energy

Our complete range of CE-approved bladder, piston and diaphragm accumulators maintains high pressure for safe braking, manoeuvring and control. Greater system efficiency and reduced pump sizes gives longer life, lower cost and reduced noise levels.



High torque/low speed radial piston motors

Our HMR/HMRE series are available with fixed displacement in sizes from 33 to 8,200 cm³/rev, or with dual displacement from 300 to 8,200 cm³/rev. They are rated at 280 bar continuous pressure, offering high starting torque and high efficiency in a very reliable, robust design.



Vane pump T7EEC

A low-noise pump available in a very wide range of displacements, from 6 to 550 cm³/rev. Built for pressures up to 320 bar, with a one piece internal shaft for maximum performance without internal restrictions. One suction port for double and triple pumps.

Stay tough on tough jobs

A wide range of customized cylinders with service-friendly designs, cushioning and integrated valve functions. Designed to deliver sustained high performance over a long service life.



Smart filtration units

Tailor-made filtration units built to your specification – a cost effective way of producing compact, easy-to-install, high quality filtration manifold units in small series.



Added life

Parker Filtration technology extends the life and increases the reliability of your deck equipment under severe rough sea conditions. In addition to a wide range of hydraulic filters, fuel filters and reservoir accessories, Parker offer you the global leader in fluid condition monitoring with the LaserCM portable particle counter, helping you to keep contamination under control.



Leak-free connections

The Parker "Dry Technology" programme offers a wide range of high performance leak-free products: Tube fittings, industrial and hydraulic rubber hoses, thermoplastic hoses, quick couplings, pneumatic tubes and pneumatic fittings for maximum security, protection and good economy.





Dedicated products and solutions for **Deck Equipment**

Parker Hannifin Corporation

Parker Hannifin is a leading global motion-control company, dedicated to delivering **Premier Customer Service**.

Parker is the only manufacturer to offer its customers a choice of hydraulic, pneumatic and electro-mechanical motion-control solutions.

Our company has the largest distribution network in its field, with over 8,600 distributors serving more than 390,000 customers world-wide.

Parker's charter:

'To be a leading world-wide manufacturer of components and systems for the builders and users of durable goods'.

More specifically, we will design, market and manufacture products controlling motion, flow and pressure. We will achieve profitable growth through premier customer service.

Product groups

Parker Hannifin develops and produces a multitude of components and products within its eight product groups: Aerospace, Automation, Climate & Industrial Controls, Filtration, Fluid Connectors, Hydraulics, Instrumentation and Seals.

Our hydraulics product range includes control systems, valves, pumps, motors, accumulators and cylinders. Dedicated to meeting the needs of industry for more than 35 years, we have raised productivity and improved ergonomics by refining hydraulic systems.

With a comprehensive network of sales offices and distributors world-wide, we are able to service your needs, from complete system applications to local service requirements.

We're Where You Are... Worldwide!

To order products, CDs or additional information:

In Europe, call 00800-27 27 5374

E-mail: eurohyd@parker.com

www.parker.com/eurohyd

In the USA, call 1-800-CPARKER

E-mail: c-parker@parker.com

www.parker.com/hydraulics

For further information, please contact:



Parker Hannifin
Parker House, 55 Maylands Ave.
Hemel Hempstead, Herts, HP2 4SJ
United Kingdom
Tel. +44 1442 458 000
Fax +44 1442 458 200

European Product Information Centre:
Tel. 00800 27 27 5374

www.parker.com/eu

HY02-8047/UK
0.5M 12/05 PC

