

**DENISON Lokomec  
CEL 2/2-Way Cartridges  
NS10 - NS50**



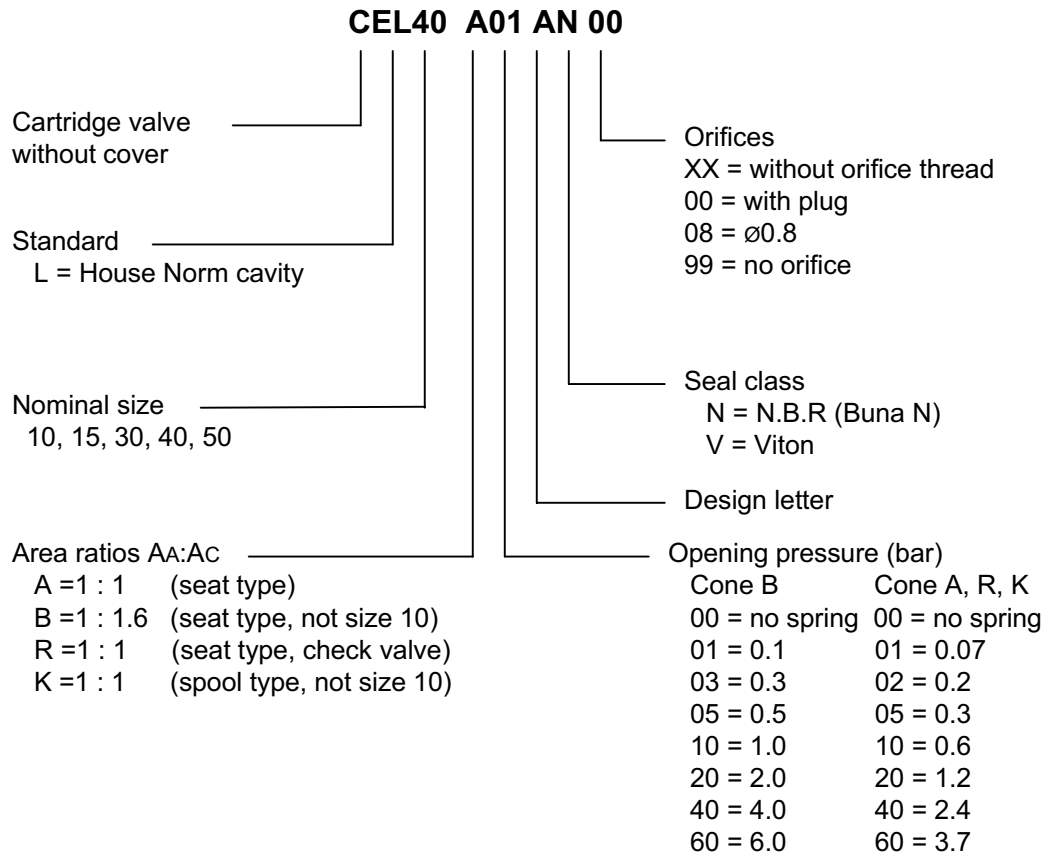
12/2001

**DENISON** Lokomec

**CHARACTERISTICS**

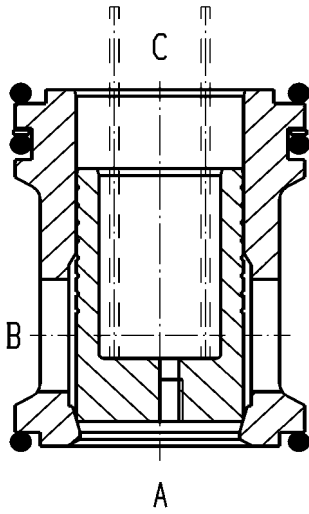
Type of unit	Seat valve (Cones A, B and R) Spool valve (Cone K)
Design	Cartridge valve
Type of mounting	Manifold mounting
Mounting position	Optional
Operating pressure range	0 ... 350 bar
Fluid	Mineral oil
Contamination level	Minimum to NAS 1638 Class 9
Fluid temperature range	-20° C ... +70° C
Viscosity range	2.8 ... 380 mm <sup>2</sup> /s (cSt)
Recommended viscosity	35 mm <sup>2</sup> /s (cSt)
Weight	NS10 = 0.05 kg NS15 = 0.10kg NS30 = 0.25 kg NS40 = 0.60 kg NS50 = 0.95 kg

**ORDERING CODE**



**Cone A**

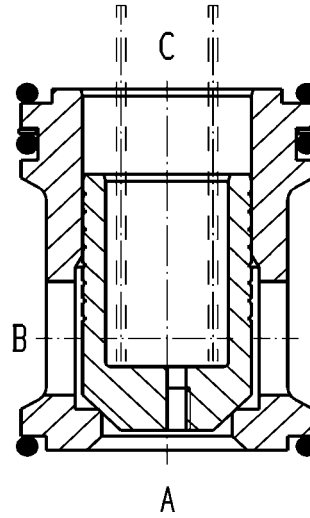
Pressure relief valves  
Check valves  
2/2-way valves (A ⇒ B)



Seat type  
Area ratio 1:1

**Cone B**

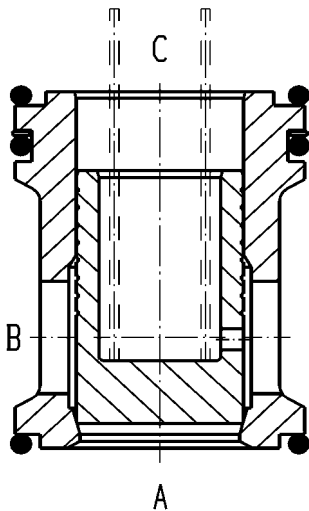
2/2-way valves  
(A ⇔ B)



Seat type  
Area ratio 1:1.6

**Cone R**

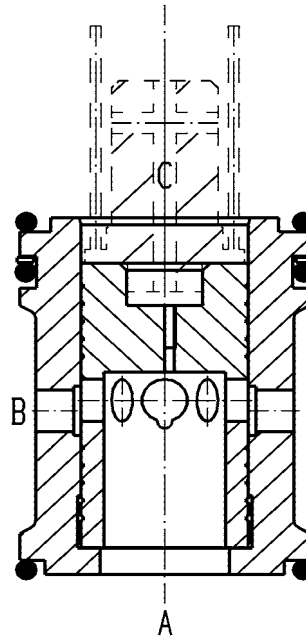
Check valves  
(A ⇒ B)



Seat type  
Area ratio 1:1

**Cone K**

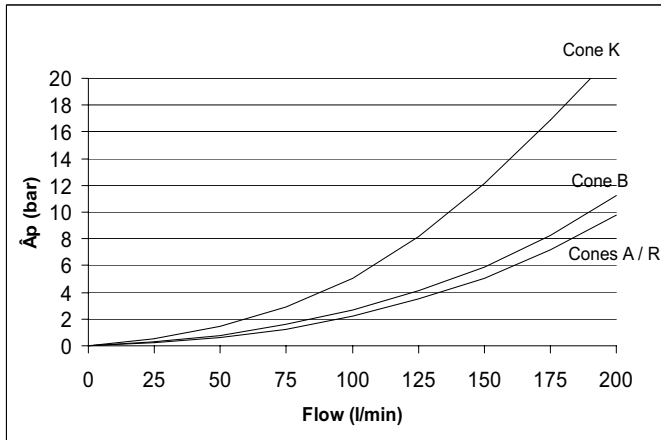
Pressure reducing valves  
2-way pressure compensators (B ⇒ A)



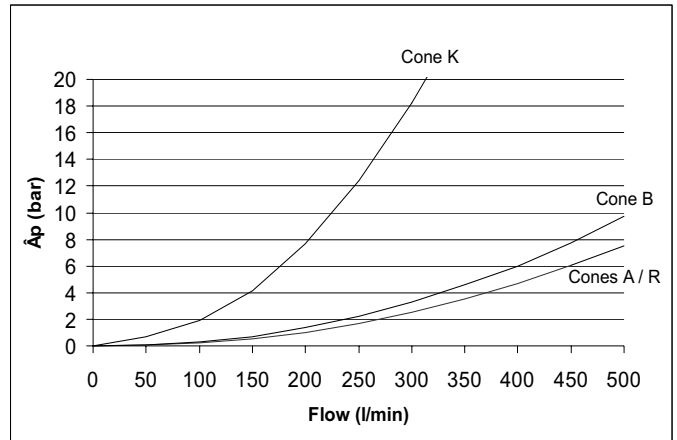
Spool type  
Area ratio 1:1



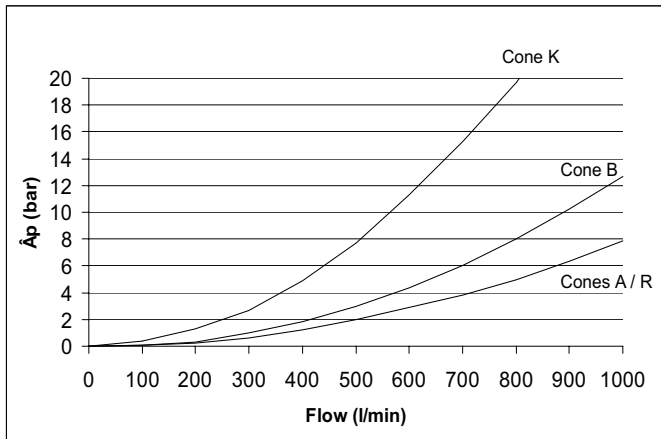
**NS15**



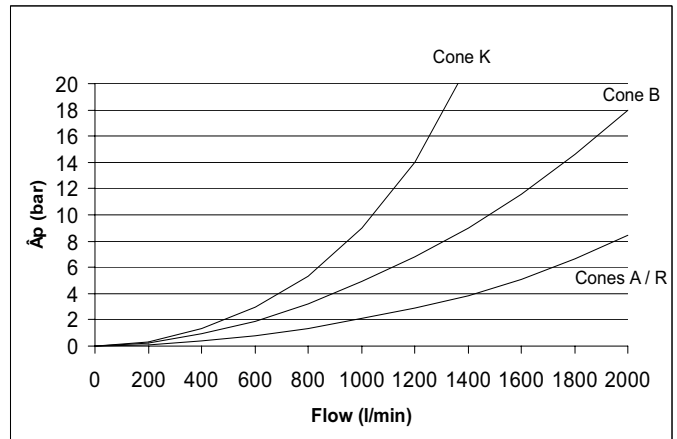
**NS30**



**NS40**

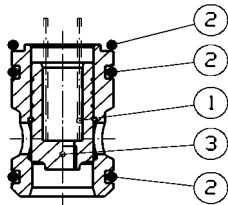


**NS50**

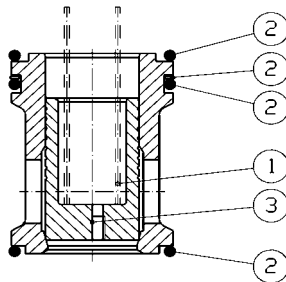


Measuring conditions: valve fully open (without spring), oil viscosity 40 mm<sup>2</sup>/s (cSt)

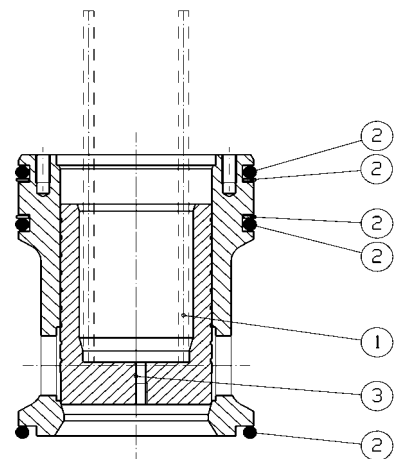




**CEL10**



**CEL15 - 30**



**CEL40 - 50**

ITEM	PART	CEL 10	CEL15	CEL30	CEL 40	CEL50
1	Spring 01	44301900	44306100	44305400	44321600	-
1	Spring 03	44302000	44306000	44305300	44321700	44319500
1	Spring 05	44302100	44305900	44305200	44321800	44319600
1	Spring 10	44302200	44305800	44305100	44321900	44319700
1	Spring 20	44302300	44305700	44305000	44322000	44319800
1	Spring 40	44302400	44305600	44304900	44322100	44319900
1	Spring 60	-	44305500	44304800 44304900	44322200	44320000
2	Seal kit (NBR)	TSCEL100	TSCEL150	TSCEL300	TSCEL400	TSCEL500
2	Seal kit (Viton)	TSCEL101	TSCEL151	TSCEL301	TSCEL401	TSCEL501
3	Orifice	M5	M5	M6	M6	M6

M5	Code:	M6	Code:
M5x5-0.3	KU005030	M6x6-0.3	KU006030
M5x5-0.4	KU005040	M6x6-0.4	KU006040
M5x5-0.6	KU005060	M6x6-0.6	KU006060
M5x5-0.8	KU005080	M6x6-0.8	KU006080
M5x5-1.0	KU005100	M6x6-1.0	KU006100
M5x5-1.2	KU005120	M6x6-1.2	KU006120
M5x5-1.5	KU005150	M6x6-1.5	KU006150
M5x5-2.0	KU005200	M6x6-2.0	KU006200
M5x5-2.5	KU005250	M6x6-2.5	KU006250
		M6x6-3.0	KU006300

**150 In Europe:**

Cyprus  
Czech Republic  
Eastern Europe  
The Faroe Islands  
Finland  
Greece  
Hungary  
Iceland  
Norway  
Poland  
Portugal  
Romania  
Russia  
Serbia Montenegro  
Slovakia  
Slovenia  
Switzerland  
Turkey

**In Africa:**

Algeria  
Egypt  
Ivory Coast  
Morocco  
Nigeria  
South Africa  
Togo  
Tunisia

**In Middle East:**

Bahrain  
Iran  
Israel  
Jordan  
Lebanon  
Pakistan  
Qatar  
Saudi Arabia  
Syria  
United Arab Emirates

**In Far East:**

Indonesia  
Korea  
Malaysia  
New Zealand  
Philippines  
Taiwan  
Thailand

**Australia**

DENISON HYDRAULICS Pty. Ltd.  
41-43 St. Hillers Road  
P.O. Box 192  
Auburn, N.S.W. 2144  
Ausatralia  
Tel. +61 (2) 9646 5200  
Fax +61 (2) 9643 1305

Other sales offices:  
Queensland  
Victoria  
Western Australia

**Austria**

DENISON HYDRAULIK GmbH  
Zweigniederlassung Linz  
Haidbachstraße 69  
A-4061 Pasching  
Austria  
Tel. +43 (7229) 4887  
Fax +43 (7229) 63092

**Benelux**

DENISON HYDRAULICS  
BENELUX B. V.  
Pascalstraat 100  
3316 Dordrecht  
Holland  
Tel. +31 (78) 617 9900  
Fax +31 (78) 617 5755

**Canada**

DENISON HYDRAULICS  
CANADA Inc.  
2880 Brighton Road, Unit 1  
Oakville, ON L6H 5S3  
Canada  
Tel. +1 (905) 829 5800  
Fax +1 (905) 829 5805

Other sales offices:  
Montreal, QC  
Calgary, AB

**Denmark**

DENISON HYDRAULIK  
DENMARK A/S  
Industrikrogen 2  
DK-2635 Ishøj  
Denmark  
Tel. +45 (4371) 1500  
Fax +45 (4371) 1516

**Finland**

DENISON LOKOMEK OY  
P.O. Box 116  
Polunmäenkatu 22  
FIN-33721 TAMPERE  
Finland  
Tel. +358 (3) 3575 100  
Fax +358 (3) 3575 111

Other sales offices: Lohja

**France**

DENISON HYDRAULICS  
FRANCE SA  
14 Route du Bois Blanc  
BP 539  
18105 Vierzon  
France  
Tel. +33 (2) 4853 0120  
Fax +33 (2) 4875 0291

Other sales offices:  
Bordeaux  
Lyon  
Paris

**Germany**

DENISON HYDRAULIK GmbH  
Herderstrasse 26  
D-40721 Hilden  
Germany  
Tel. +49 (2103) 9406  
Fax +49 (2103) 940880

Other sales offices:  
Dresden  
Hanover  
Stuttgart

**Great Britain**

DENISON HYDRAULICS U.K. Ltd.  
Kenmore Road  
Wakefield 41, Industrial Park  
Wakefield, WF2 OXE  
West Yorkshire  
England  
Tel. +44 (1924) 826 021  
Fax +44 (1924) 826 146

Other sales offices:  
Burgess Hill

**Hong Kong**

DENISON HYDRAULICS Ltd.  
Unit 6A, 33/F Cable TV Tower  
9 Hoi Shing Road, Tsuen Wan  
N.T., Hong Kong  
Tel. +852 2498 8381  
Fax +852 2499 1522

**Italy**

DENISON HYDRAULICS S.r.l.  
Via le Europa 68  
20090 Cusago (MI) Milanese  
Italy  
Tel. +39 (02) 903 301  
Fax +39 (02) 9039 0695

**Japan**

DENISON JAPAN Inc.  
4-2-1 Tsujido-Shinmachi  
Fujisawa 251-0042  
Japan  
Tel. +81 (466) 353 257  
Fax +81 (466) 352 029

Other sales office:  
Osaka

**Mexico, Central America, South America and Caribbean Countries Contact**

DENISON HYDRAULICS Inc.  
7850 NW 146 Street  
Suite 512  
Miami Lakes, FL 33015  
USA  
Tel. +1 (305) 362 2246  
Fax +1 (305) 362 6220

**P.R. China**

SHANGHAI DENISON HYDRAULICS  
ENGINEERING Ltd.  
Room 8018, No. 601  
Zhang Yang Road,  
Pudong New Area,  
Shanghai 200120  
P.R.China  
Tel. (86) 21 5886 6599  
Fax (86) 21 5886 7018

**Singapore**

DENISON HYDRAULICS S.E.A.  
Pte. Ltd.  
Blk 4012 Ang Mo Kio Ave 10  
Unit #07-01D Techplace I  
Singapore 569628  
Tel. +65 268 7840  
Fax +65 268 7847

**Spain**

DENISON HYDRAULICS, S.A.  
Gomis, 1  
08023 Barcelona  
Spain  
Tel. +34 (93) 253 1990  
Fax +34 (93) 211 6507

Other sales offices:  
San Sebastian

**Sweden**

DENISON HYDRAULICS  
SVENSKA AB  
Sporregatan 13  
213 77 - Malmö  
Sweden  
Tel. +46 (40) 600 1300  
Fax +46 (40) 600 1350

Other sales offices:  
Järfälla

**Taiwan**

DENISON HYDRAULICS Ltd.  
6F-10, No. 79,  
Sec. 2, Roosevelt road, Taipei  
Taiwan, R.O.C.  
Tel. +886 (2) 2364 5101/2  
Fax +886 (2) 2363 9025

**USA**

DENISON HYDRAULICS Inc.  
14249 Industrial Parkway  
Marysville, OH 43040  
USA  
Tel. +1 (937) 644 3915  
Fax +1 (937) 642 3738  
For nearest Distributor:  
Call toll free 1 800 551 5956  
E-Mail address:  
denison@denisonhydraulics.com  
WWW address:  
http://www.denisonhydraulics.com

Other sales offices:

Fulton, CA  
Mulberry, FL  
Moline, IL  
Rock Island, IL  
Kentwood, MI  
Portland, OR  
Canton, MS  
Arlington, TX  
Houston, TX

**Other European, Middle East and African Countries Contact**

DENISON HYDRAULICS S.A.  
ATTN: Export Office  
14 Route du Bois Blanc  
BP 538, 18105 Vierzon Cedex  
France  
Tel. +33 (2) 4853 0120  
Fax +33 (2) 4853 0146

Your local DENISON representative:

**DENISON** Lokomec