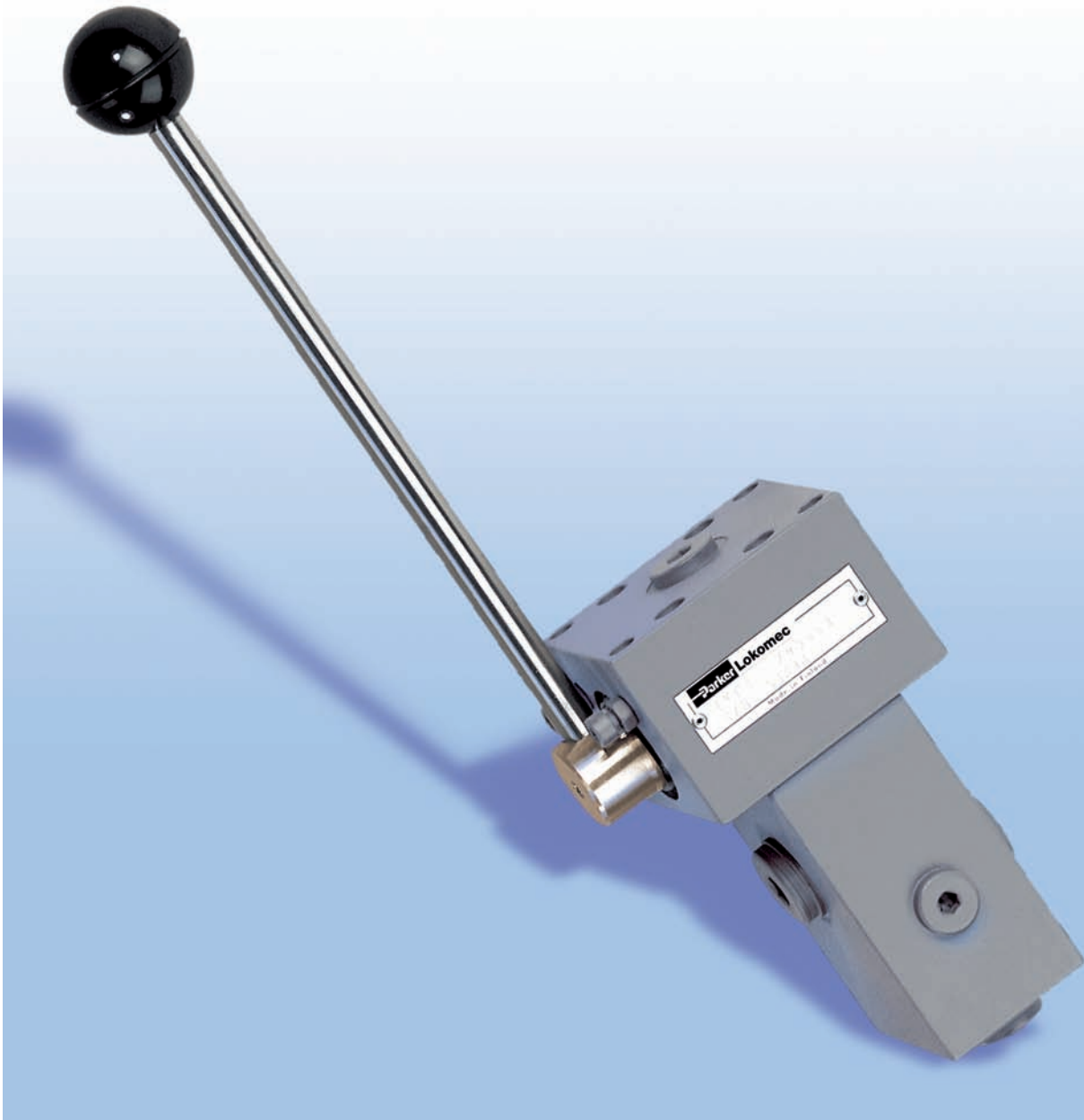




RCV Remote Control Valve

*Catalog FI-EN103-A
September 2006*



FEATURES

Accurate hydraulic remote control valve.
 Protected for marine conditions.
 Different control curves available.
 One or two hand levers, two or four control ports.
 Detent available for each control port.

DESCRIPTION

RCV remote control valves are especially designed for all hydraulic remote controls in tough marine conditions. Accurate control according to different curves makes the valve suitable for different applications. According to the control curve, the maximum pressure is limited or it equals the inlet pressure. The hand levers are returned to the central position with springs. The hand levers can be equipped with detents (option) to keep the hand lever in end position. With a valve with one lever it is possible to remote control e.g. one WMH main control valve. With a valve with two levers it is possible to operate e.g. one main control valve and one brake cylinder or two main control valves.

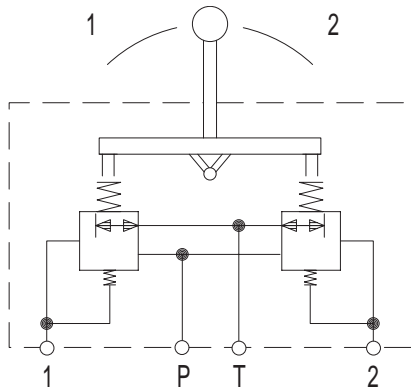
CHARACTERISTICS

Design	Manually operated remote control valve
Mounting position	Optional
Ambient temperature range	- 30° C ... + 50° C
Maximum inlet pressure (P)	50 bar
Maximum allowed pressure in the port (T)	10 bar
Nominal flow	20 l/min
Fluid	Mineral oil according to DIN 51524 and DIN 51525
Fluid temperature range	- 20° C ... + 70° C
Contamination level	Max. permissible contamination level according to NAS 1638 Class 8 (Class 9 for 15 Micron and smaller) or ISO 17/14
Weight	5,9 kg (single lever version) 9,2 kg (double lever version)
Materials	Valve body and cover in carbon steel or stainless steel. Hand lever in stainless steel. Axle in bronze metal.
Surface treatment	Carbon steel valve body and cover: Primary 2-component epoxy painting. Stainless steel valve body and cover: No surface treatment.

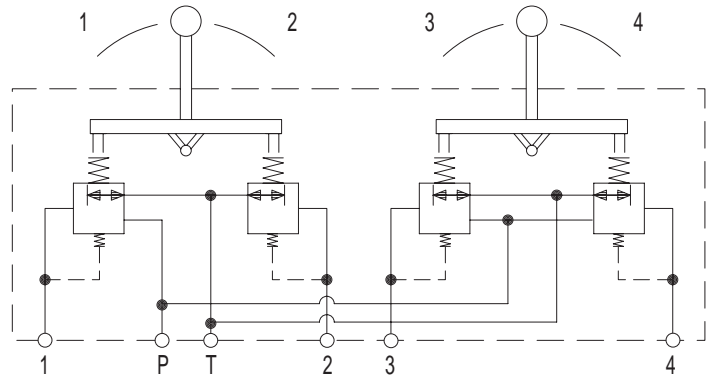
Ordering code

RCV

Type:	RCV-24-D1234-1111-AN-01/SS
Remote control valve _____	
Number of hand levers and control ports _____ 12 = One lever, two ports 24 = Two levers, four ports	
Detents _____ D0 = No detent D**** = Detents in any number, of any ports specified, from 1, 2, 3 or 4	
Control curve in each port _____ See page 4	
Design letter _____	
Seal class _____ N = N.B.R. (Buna N)	
Threaded ports _____ 01 = P, T R 1/2" BSP ; 1,2,3,4 R 3/8" BSP	
Material option _____ No code = Valve body and cover of carbon steel SS = Valve body and cover of stainless steel	

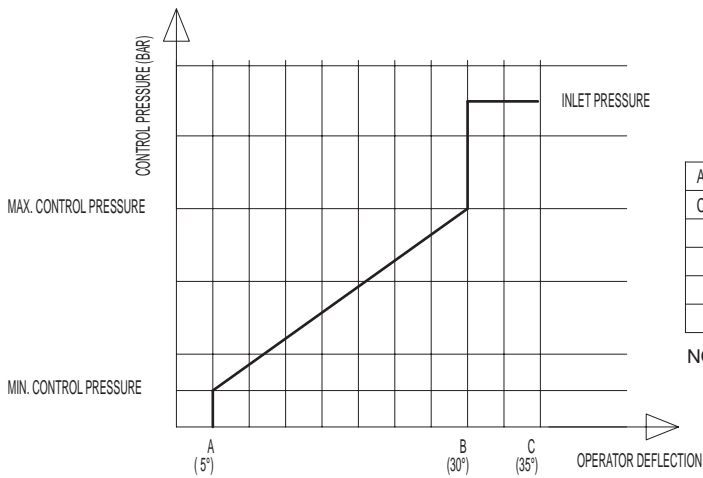


RCV12



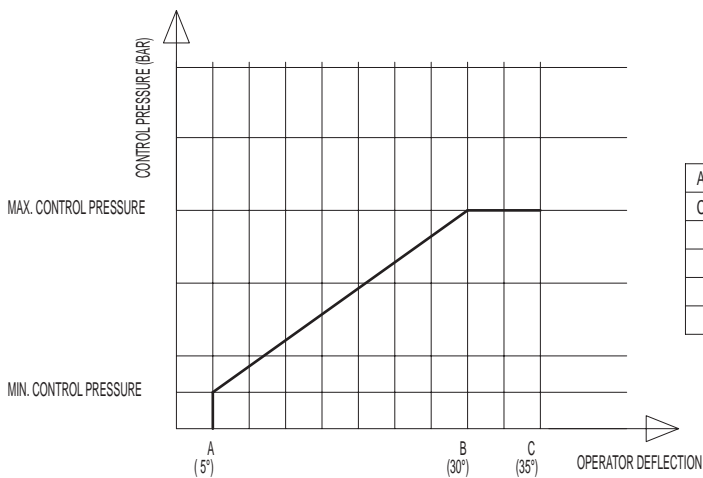
RCV24

CONTROL CURVES



AVAILABLE CONTROL CURVES		
CONTROL CURVE	MIN. CONTROL PRESSURE	MAX. CONTROL PRESSURE
1	5	20
3	5	30
5	5	40
7	2	30

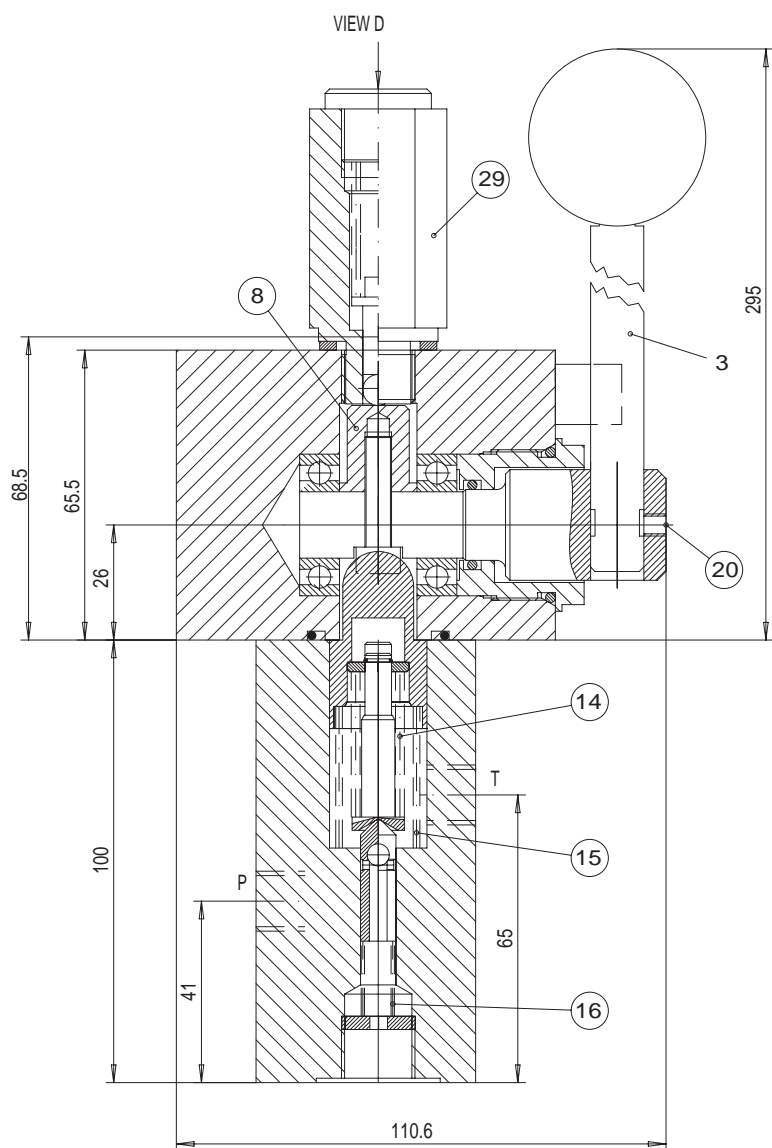
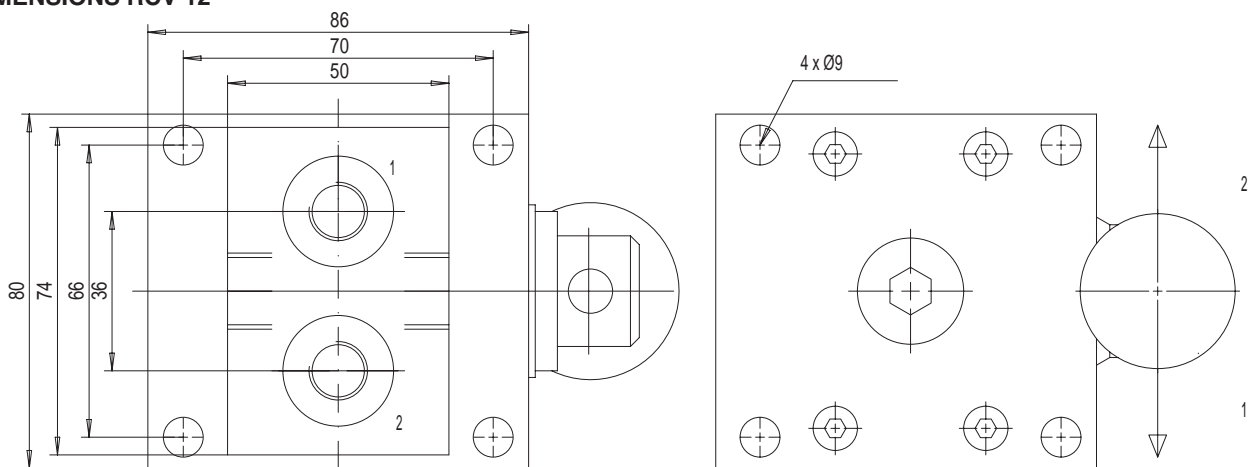
NOTE! Control curves 1, 3, 5 and 7 available only with D0



AVAILABLE CONTROL CURVES		
CONTROL CURVE	MIN. CONTROL PRESSURE	MAX. CONTROL PRESSURE
2	5	20
4	5	30
6	5	40
8	2	30

Dimensions, connections

DIMENSIONS RCV 12

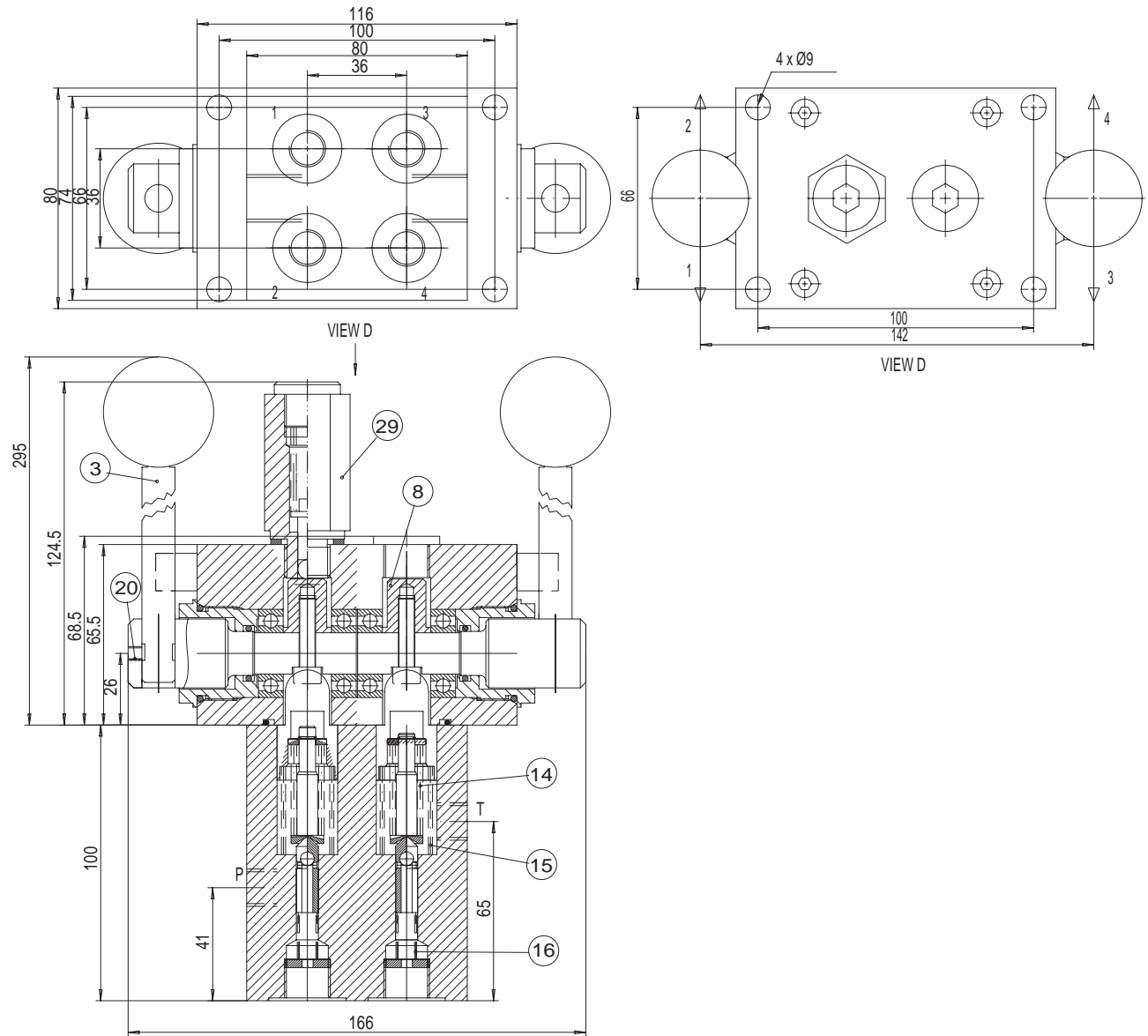


CONNECTIONS

CONNECTION	SIZE
1, 2	R 3/8" BSP
P, T	R 1/2" BSP

Dimensions, connections

DIMENSIONS RCV 24



CONNECTIONS

CONNECTION	SIZE
1, 2, 3, 4	R 3/8" BSP
P, T	R 1/2" BSP

ITEM	PART	CODE
3	Control lever assembly	44315500
8	Cam (without detend)	31009800
8	Cam (with detend)	31009801
14	Spring / pressure range 5...20 bar	SF188035
14	Spring / pressure range 5...30 bar	SF208036
14	Spring / pressure range 5...40 bar	44335100
14	Spring / pressure range 2...30 bar	44385000
15	Spring	41008800
16	Spring	SF076020
20	Screw	PI060061
29	RCV detent	44322700
-	Seal kit RCV12	TS295669
-	Seal kit RCV24	TS295665

 **WARNING**

FAILURE OR IMPROPER SELECTION OR IMPROPER USE OF THE PRODUCTS AND/OR SYSTEMS DESCRIBED HEREIN OR RELATED ITEMS CAN CAUSE DEATH, PERSONAL INJURY AND PROPERTY DAMAGE.

This document and other information from Parker Hannifin Corporation, its subsidiaries and authorized distributors provide product and/or system options for further investigation by users having technical expertise. It is important that you analyze all aspects of your application and review the information concerning the product or system in the current product catalog. Due to the variety of operating conditions and applications for these products or systems, the user, through its own analysis and testing, is solely responsible for making the final selection of the products and systems and assuring that all performance, safety and warning requirements of the application are met.

The products described herein, including without limitation, product features, specifications, designs, availability and pricing, are subject to change by Parker Hannifin Corporation and its subsidiaries at any time without notice.

Offer of Sale

The items described in this document are hereby offered for sale by Parker Hannifin Corporation, its subsidiaries or its authorized distributors. This offer and its acceptance are governed by the provisions stated in the "Offer of Sale".

Parker Hannifin Oy

Lokomec
Tampere
Finland



Parker Hannifin Oy

Lokomec

Polunm enkatu 22, P.O. Box 116
FIN-33721 Tampere, Finland

Tel: +358 20 753 2600

Fax: +358 20 753 2601

www.lokomec.fi

www.parker.com

Catalog FI-EN103-A

FIN 9/2006

